



JAIHA
MINING MACHINES

CSU8000

Meet the Most Advanced Concrete Spraying Unit in the World

The list of special features and technical capacity of the concrete spraying unit CSU 8000 can be made abundantly long.

The simple summary is that it all combines to the world's most advanced machine for concrete spraying in underground conditions.

It is also the machine that decidedly offers the best working environment and the highest occupational safety.

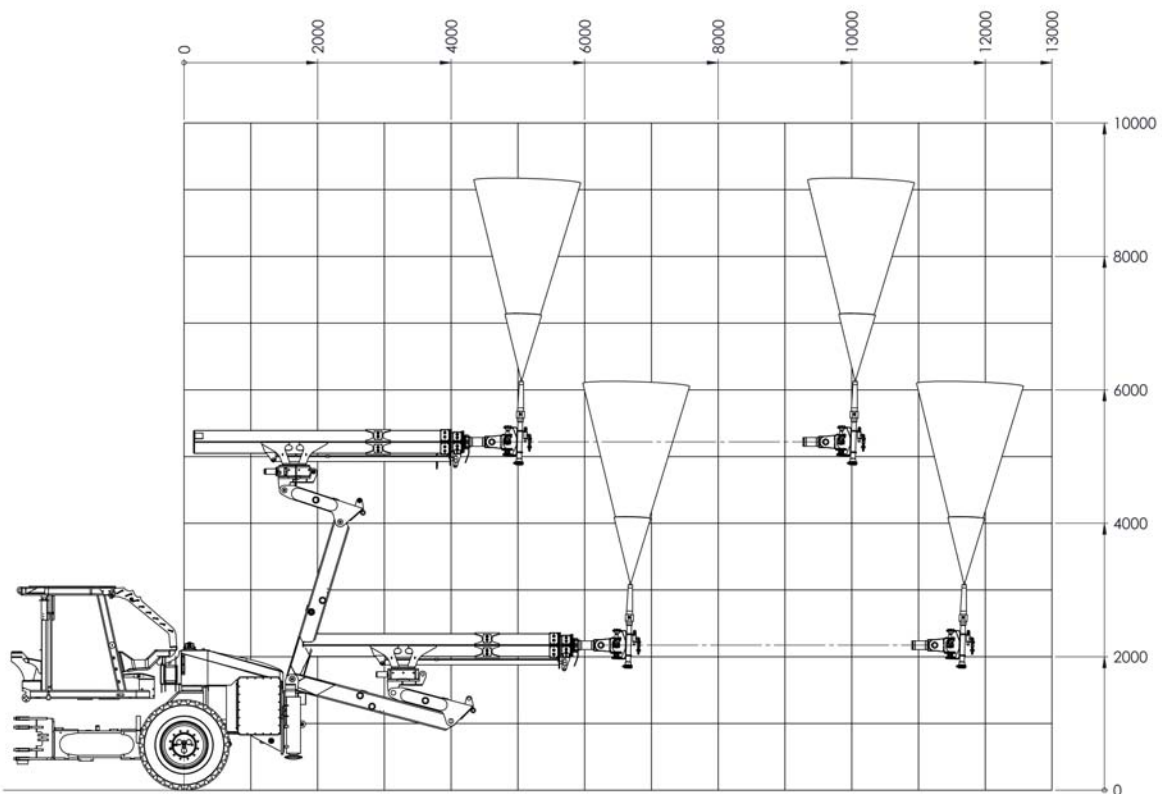
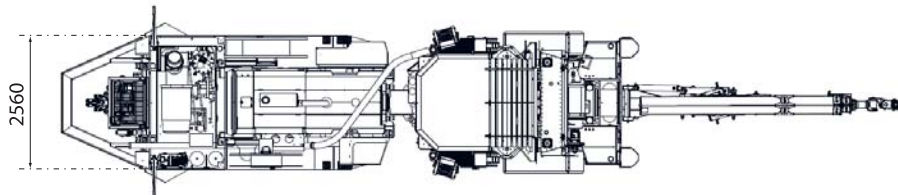
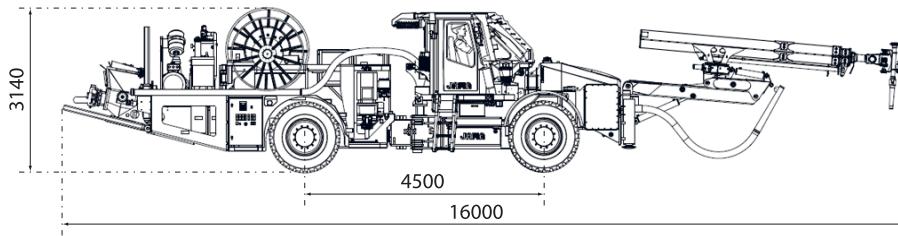


As it turns out, this is no coincidence. The roots of CSU 8000 can be traced more than 60 years back. During the mid 1990-ties, decades of inherited knowledge from the mining industry in the north of Sweden resulted in the first ever serial produced machines that from their core out were designed for special purposes, the so-called 800-series. It became an instant success that raised the level of both security and productivity in underground mines throughout the world.

The 8000-series is the second generation. Only now even further improved. Only now so much more ahead of competition.

Dimensions

mm



JAMA
MINING MACHINES

JAMA Mining Machines AB
Postal address: Sparrvägen 1
SE932 33 Skelleftehamn, Sweden
Phone: +46 910 71 36 50
www.jama.se

Market contact
Sales: sales@jama.se
Spare parts: spareparts@jama.se
Technical support: support@jama.se